

Hoses

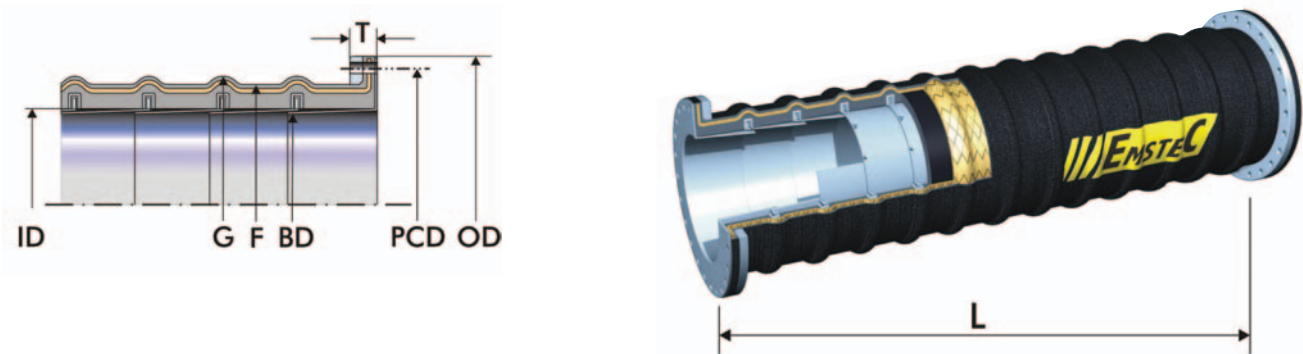
A 5

► Steel Cone Lined Suction Hoses

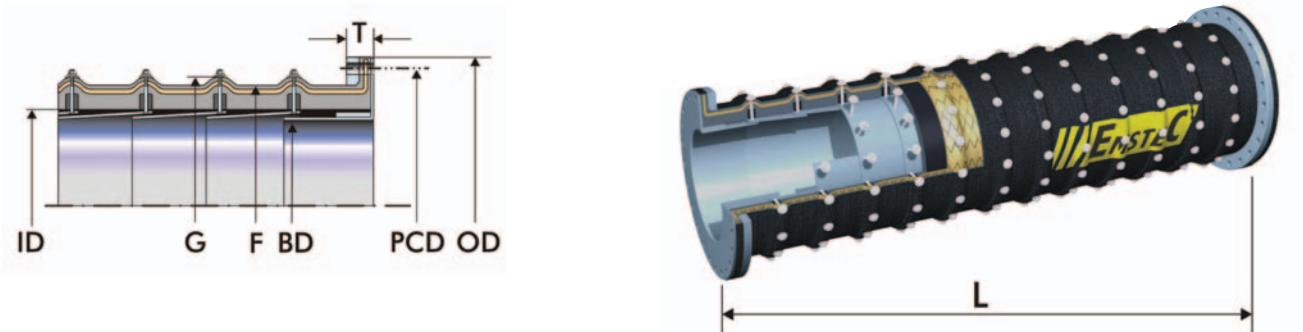
Emstec Steel Cone Lined Suction Hoses are custom built to serve the special requirements of our clients. The outer Rubber Hose is acting as a general suction hose or better explained as an outside seal hose. Inside this seal hose steel

cones are located by means of bolts. The subject cones can be built of general mild steel or wear resistant steels like Hardox, Creusabro, etc. Worn out cones can be replaced by removing the locking bolts, and re-inserting new cones.

► Part No.: 127011 Suction Hose with armoured steel cones (replaceable) Sandwich flange



► Part No.: 127211 Suction Hose with armoured steel cones (replaceable) Sandwich flange



► Part No.: 128011 Emstec Special Suction Hose Segment Steel Cone Hoses

