

Marine Equipment

D 3-1

▸ Warping Roller

▸ Warping Roller



Emstec Warping Rollers are build to suit our clients requests. In general the warping rollers are build with maintenance free bearing to grant a long service time. Special applications can be supplied on request.

▸ Warping Roller with socket Form A cylindrical



▸ Warping Roller with socket Form B conical



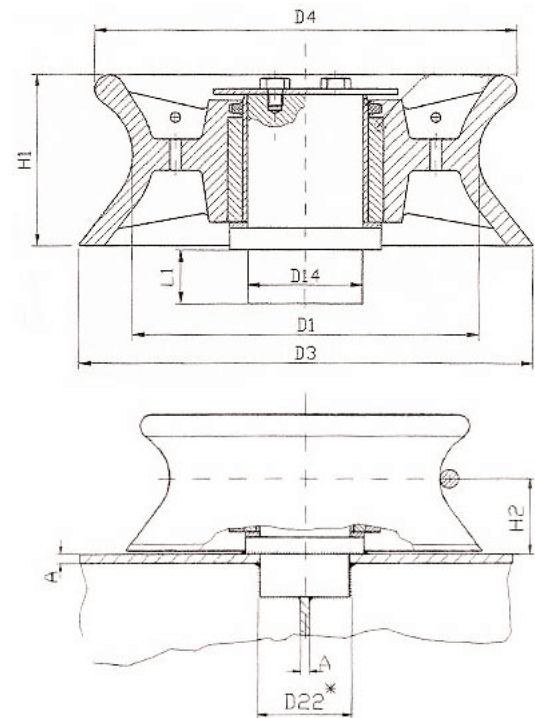
Special applications are available on request ▼

Marine Equipment

D 3-2

► Warping Roller

► Warping Roller DIN 81906



Designation of a Warping Roller Type 8
Warping Roller DIN 81906-8

Free of Maintenance

Polyamid - bronze - bearings protected by felt pad

Long Welding Column

Safe and solid joint with foundation possible

Best rope Guidance

Roller member at lower end of flat and spiry construction, rope does not skid and jam.

Finish

Shopprimer

CODE	TYPE	RATED TOWING PULL (kN)	Wire ϕ mm	BREAKING STRAIN OF ROPE (kN)	D1	D3	D4	D14	H1	H2	L1	D22	A	WEIGHT (kg)
02001	1	10	-12	90	160	210	195	60	80	42	50	62	8	14
02002	2	20	-16	150	200	265	245	70	102	56	50	72	10	20
02003	3	30	-20	220	250	330	300	85	126	71	50	87	13	33
02004	5	50	-24	350	320	420	390	106	160	88	50	108	13	72
02005	8	80	-32	500	400	530	490	125	208	113	60	127	16	140
02006	12	120	-40	800	450	610	560	160	256	139	85	162	16	240
02007	20	200	-48	1150	500	640	620	190	278	144	100	192	20	320
02008	32	320	-52	1750	560	780	740	230	348	183	150	232	20	580

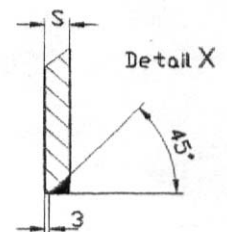
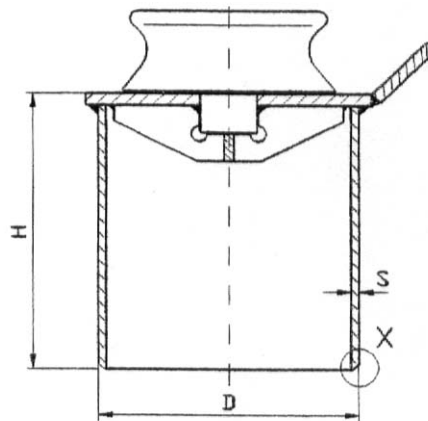
Special applications are available on request ▼

Marine Equipment

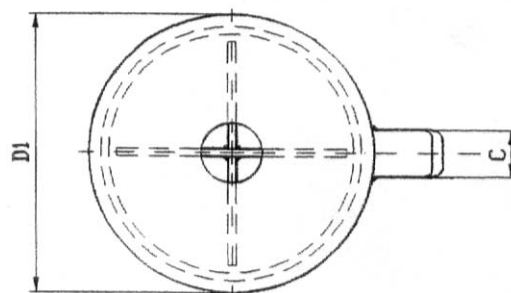
D 3-3.1

Warping Roller

Warping Roller with socket DIN 81907, Form A cylindrical



TOP VIEW
(WITHOUT WARPING ROLLER)



Special applications are available on request ▼

Marine Equipment

D

3-3.2

▸ Warping Roller

▸ Warping Roller with socket DIN 81907, Form A cylindrical

Code	Type	H	Tube D x S	D ₁	C	Weight (kg)
03009	1	200	219,1 x 12,5	245	60	31
03010	1	400	219,1 x 12,5	245	60	44
03011	1	600	219,1 x 12,5	245	60	57
03012	1	800	219,1 x 12,5	245	60	70
03013	2	200	273 x 12,5	300	60	43
03014	2	400	273 x 12,5	300	60	59
03015	2	600	273 x 12,5	300	60	75
03016	2	800	273 x 12,5	300	60	91
03017	3	200	355,6 x 12,5	385	60	68
03018	3	400	355,6 x 12,5	385	60	89
03019	3	600	355,6 x 12,5	385	60	111
03020	3	800	355,6 x 12,5	385	60	132
03021	5	200	457,2 x 12,5	485	60	117
03022	5	400	457,2 x 12,5	485	60	144
03023	5	600	457,2 x 12,5	485	60	172
03024	5	800	457,2 x 12,5	485	60	199
03025	8	200	558,8 x 12,5	585	80	209
03026	8	400	558,8 x 12,5	585	80	242
03027	8	600	558,8 x 12,5	585	80	276
03028	8	800	558,8 x 12,5	585	80	310
03029	12	200	660,4 x 14,2	690	80	325
03030	12	400	660,4 x 14,2	690	80	370
03031	12	600	660,4 x 14,2	690	80	415
03032	12	800	660,4 x 14,2	690	80	460
03033	20	200	660,4 x 17,5	695	100	460
03034	20	400	660,4 x 17,5	695	100	516
03035	20	600	660,4 x 17,5	695	100	571
03036	32	200	812,8 x 16	845	100	748

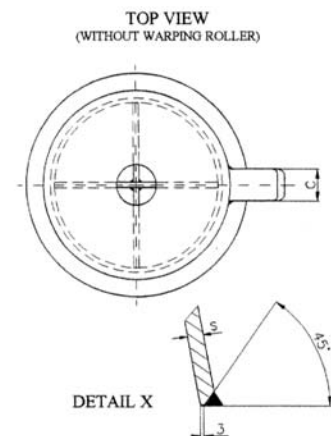
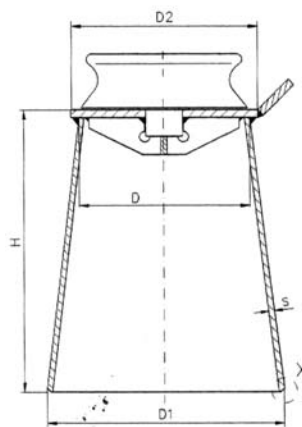
Special applications are available on request ▼

Marine Equipment

D 3-4

Warping Roller

Warping Roller with socket DIN 81907 - B8-1000, Form B conical



Designation of a Warping Roller
Type 8 With Cylindrical Socket 1000 mm High

Code	Type	H	D	D ₁	S	D ₂	C	Weight (kg)
03039	8	1000	550	815	15	575	80	426
03040	12	1000	630	895	15	655	80	568
03041	12	1200	630	945	15	655	80	638
03042	20	800	660	870	15	685	100	629
03043	20	1000	660	925	15	685	100	695
03044	20	1200	660	975	15	685	100	764
03045	20	1400	660	1025	15	685	100	838
03046	32	800	800	1010	15	825	100	953
03047	32	1000	800	1065	15	825	100	1030
03048	32	1200	800	1115	15	825	100	1110
03049	32	1400	800	1165	15	825	100	1196

Special applications are available on request ▼